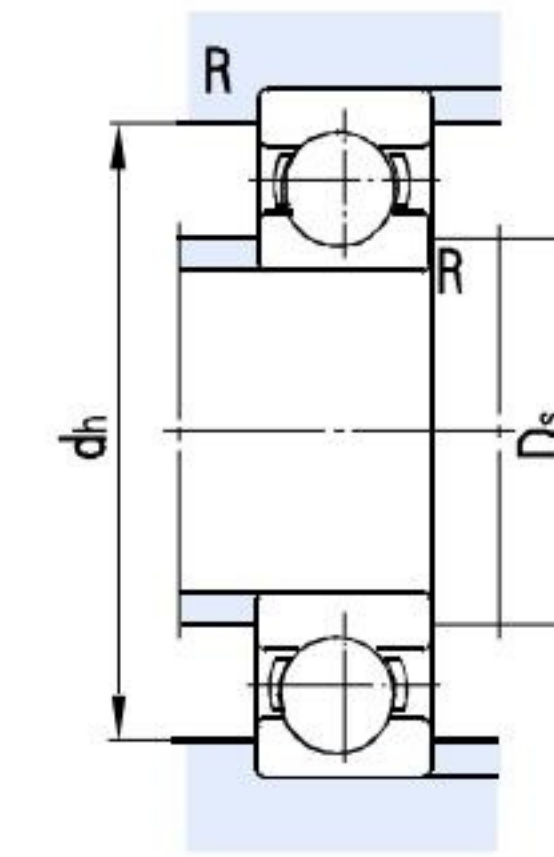
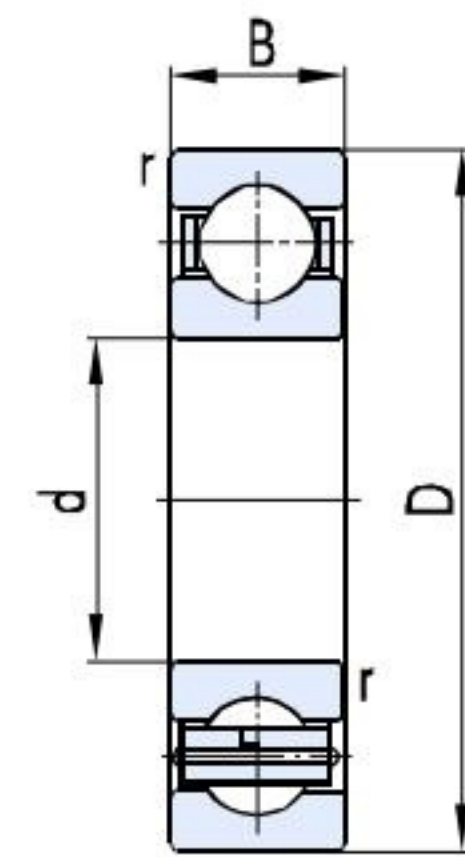
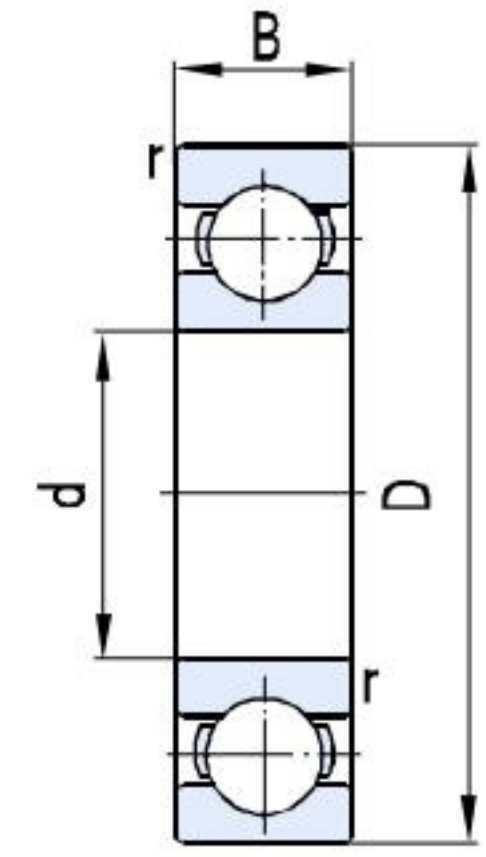
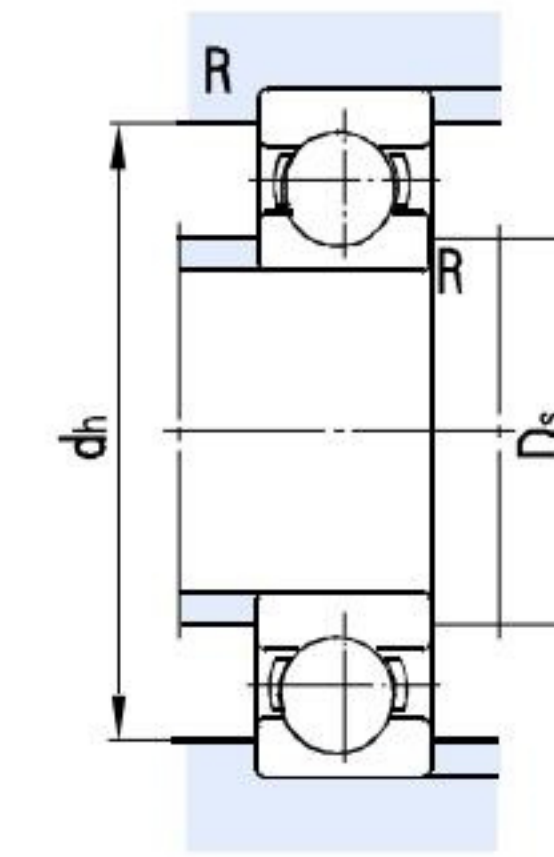
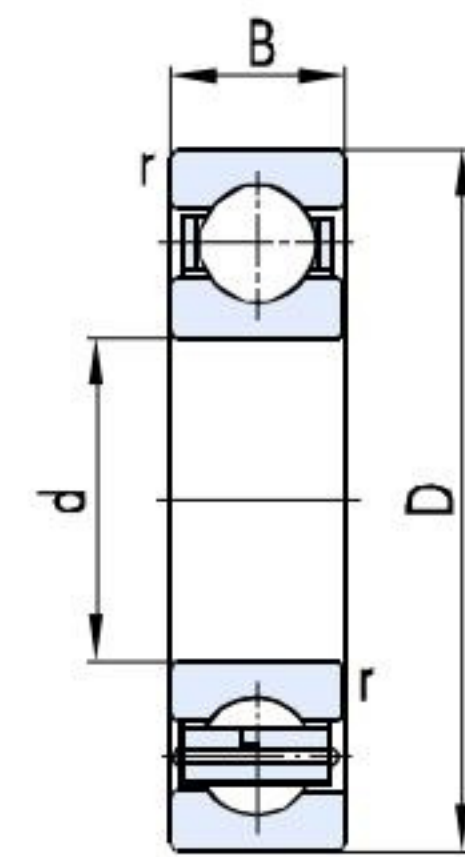
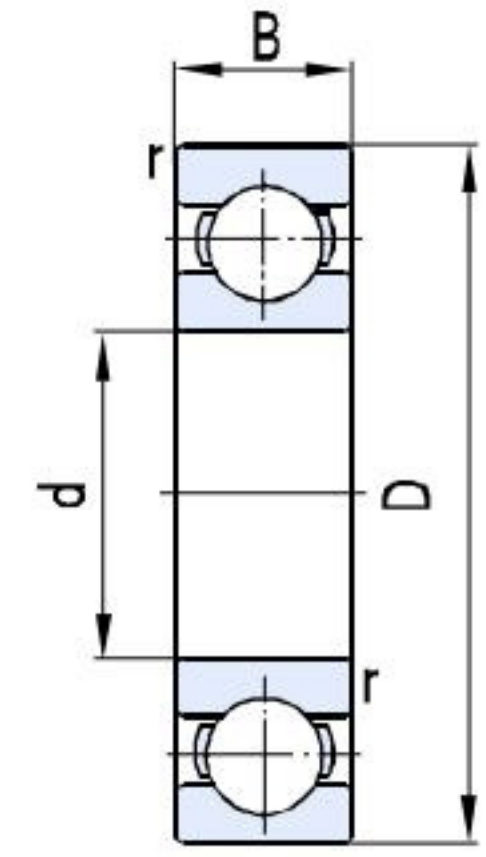


Deep Groove Ball Bearings



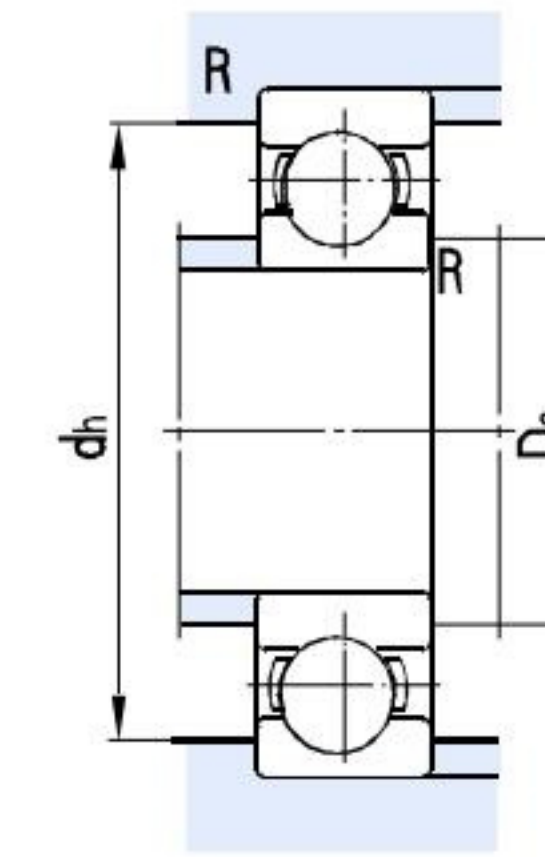
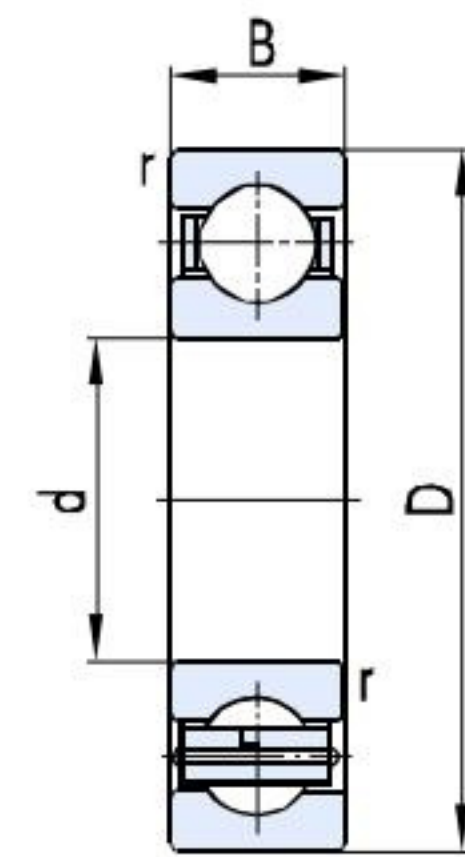
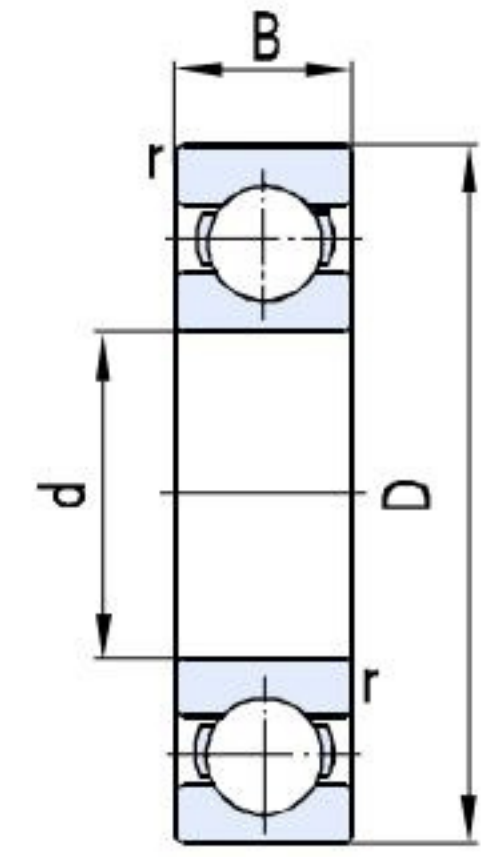
Basic Dimensions				Basic Load Ratings		Limit Rotational Speed		Bearing Part Number	Mounting Dimensions			Weight
d	D	B	rsmin	Cr	Cor	Grease	Oil		Dsmin	dhmax	Rmax	
mm				KN		r/min			mm			Kg
20	47	14	1	13.0	6.70	15000	18000	6204	25	42	1	0.110
	62	16	1	18.2	10.0	13000	16000	6304X3	28	54	1	0.252
22	56	16	1.1	17.7	9.25	12000	15000	63/22	29	47	1	0.183
23	56	15	1	18.5	9.30	12000	15000	66/23	29	47	1	0.125
25	42	9	0.3	9.50	4.55	15000	18000	61905	27	40	0.3	0.0415
	47	12	0.6	11.3	5.90	14000	17000	6005	29	43	0.6	0.078
	52	15	1	14.3	8.00	12000	15000	6205	30	47	1	0.134
	62	17	1.1	22.4	11.5	11000	14000	6305	31.5	55.5	1	0.214
	80	21	1.5	37.5	19.0	9000	11000	6405	33	72	1.5	0.530
28	68	18	1.1	23.5	13.0	9000	11000	63/28	34.5	61.5	1	0.299
30	47	9	0.3	9.75	4.95	14000	17000	61906	32	45	0.3	0.0433
	55	13	1	13.1	7.88	12000	15000	6006	34.6	50.4	1	0.121
	62	16	1	19.3	11.4	10000	13000	6206	35	57	1	0.218
	72	19	1.1	28.2	15.2	9000	11000	6306	36.5	65.5	1	0.354
	90	23	1.5	44.5	22.8	8500	10000	6406	38	82	1.5	0.805
33	72	17	1.1	22.5	13.6	9000	11000	62/33	38	66.5	1	0.308
35	47	7	0.3	4.92	3.00	13000	16000	61807	37	45	0.3	0.0292
	55	10	0.6	9.35	6.70	11000	14000	61907	38.2	51.8	0.6	0.0779
	62	14	1	16.3	10.5	10000	13000	6007	40	57	1	0.148
	72	17	1.1	25.7	15.3	9000	11000	6207	41.5	65.5	1	0.284
	80	21	1.5	35.5	19.2	8500	10000	6307	43	72	1.5	0.456
	100	25	1.5	55.5	29.5	7000	8500	6407	43	92	1.5	0.919
40	62	12	0.6	13.1	9.20	10000	13000	61908	43.2	58.8	0.6	0.108
	68	15	1	16.8	11.6	9500	12000	6008	44.6	63.4	1	0.191
	80	18	1.1	31.0	17.9	8500	10000	6208	46.5	73.5	1	0.361
	90	23	1.5	41.0	24.0	7500	9000	6308	48	82	1.5	0.642
	110	27	2	67.5	36.0	6700	8000	6408	49	101	2	1.20
41	80	17	1.1	31.0	19.0	8500	10000	62/41/HA	46.5	73.5	1	0.342

Deep Groove Ball Bearings



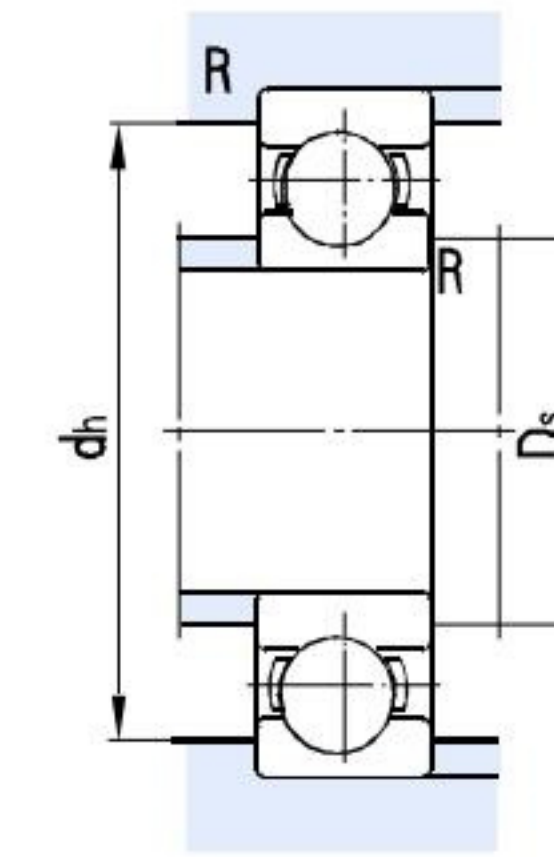
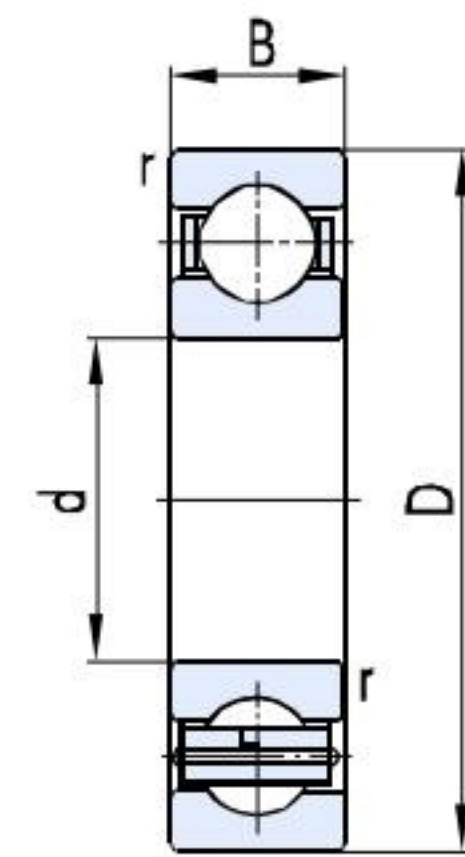
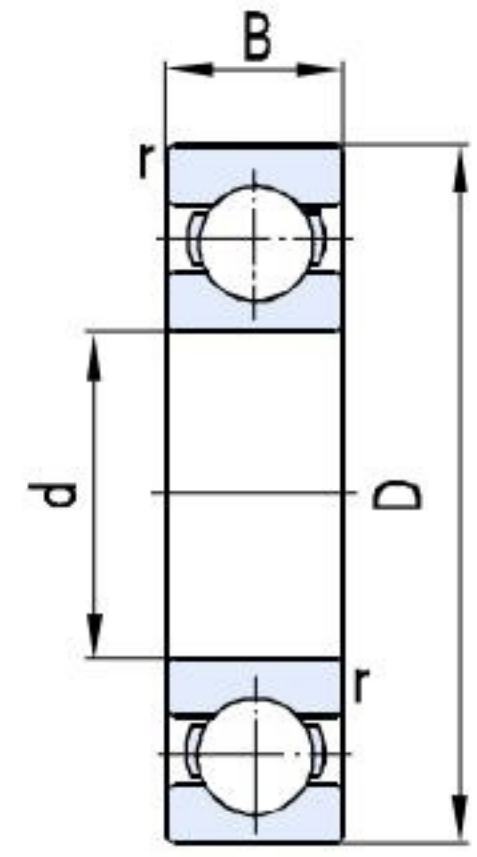
Basic Dimensions				Basic Load Ratings		Limit Rotational Speed		Bearing Part Number	Mounting Dimensions			Weight
d	D	B	rsmin	Cr	Cor	Grease	Oil		Dsmin	dhmax	Rmax	
mm				KN		r/min			mm			Kg
45	58	7	0.3	6.50	5.00	9500	12000	61809	47	56	0.3	0.0391
	75	16	1	21.0	14.0	9000	11000	6009	50	70	1	0.246
	85	19	1.1	33.3	20.4	7500	9000	6209	51.5	78.5	1	0.428
	100	25	1.5	52.7	30.0	6700	8000	6309	53	92	1.5	0.850
	120	29	2	78.0	46.0	6000	7000	6409	54	111	2	1.69
50	72	12	0.6	13.5	11.0	8500	10000	61910	53.2	68.8	0.6	0.134
	80	16	1	22.0	16.3	6500	10000	6010	55	75	1	0.248
	90	20	1.1	35.2	23.2	7100	8500	6210	56.5	83.5	1	0.504
	110	27	2	62.0	38.0	6300	7500	6310	59	101	2	1.07
	130	31	2.1	88.0	55.0	5300	6300	6410	61	119	2	1.85
55	72	9	0.3	8.80	8.10	8500	10000	61811	57	70	0.3	0.0845
	80	13	1	15.9	13.2	8000	9500	61911	59.6	75.4	1	0.177
	90	18	1.1	24.2	18.4	7500	9000	6011	61	84	1	0.384
	100	21	1.5	43.9	28.8	6300	7500	6211	63	92	1.5	0.605
	120	29	2	71.5	45.0	5600	6700	6311	64	111	2	1.39
140	33	2.1	100	62.0	5000	6000	6411	66	129	2	2.31	
60	85	13	1	17.0	15.1	7500	9000	61912	64.5	80.5	1	0.201
	95	18	1.1	30.0	23.0	6700	8000	6012	66.5	88.5	1	0.426
	110	22	1.5	53.0	33.0	5600	7100	6212	68	102	1.5	0.793
	130	31	2.1	82.0	48.5	5300	6300	6312	71	119	2	1.71
	150	35	2.1	109	70.0	4800	5600	6412	71	139	2	2.78
65	90	13	1	19.5	17.0	6700	8000	61913	70	85	1	0.203
	100	18	1.1	32.0	25.0	6300	7500	6013	71.5	93.5	1	0.428
	120	23	1.5	56.0	41.0	5300	6300	6213	73	112	1.5	0.973
	140	33	2.1	92.6	59.5	4800	5600	6313	76	129	2	2.10
	160	37	2.1	118	78.5	4500	6300	6413	76	149	2	3.25
70	110	20	1.1	38.0	31.0	6000	7000	6014	76.5	103.5	1	0.620
	125	24	1.5	60.5	46.0	5000	6000	6214	78	117	1.5	1.34
	150	35	2.1	105	68.0	4500	5300	6314	81	139	2	2.55
	180	42	3	143	103	3800	4500	6414	83	167	2.5	4.73
75	115	20	1.1	39.5	31.8	5600	6700	6015	81.5	108.5	1	0.630

Deep Groove Ball Bearings



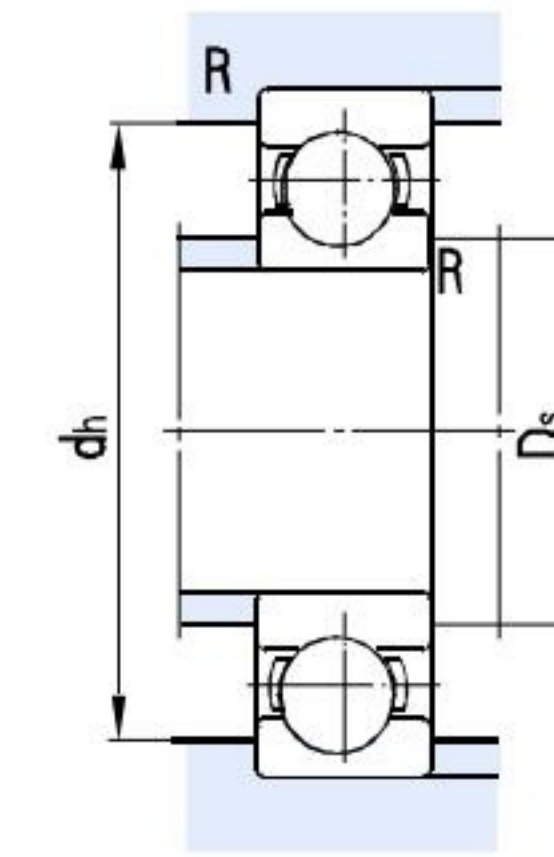
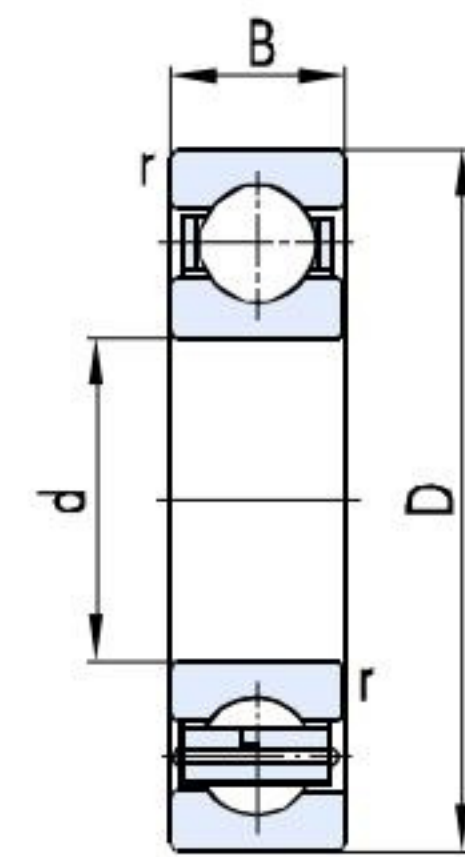
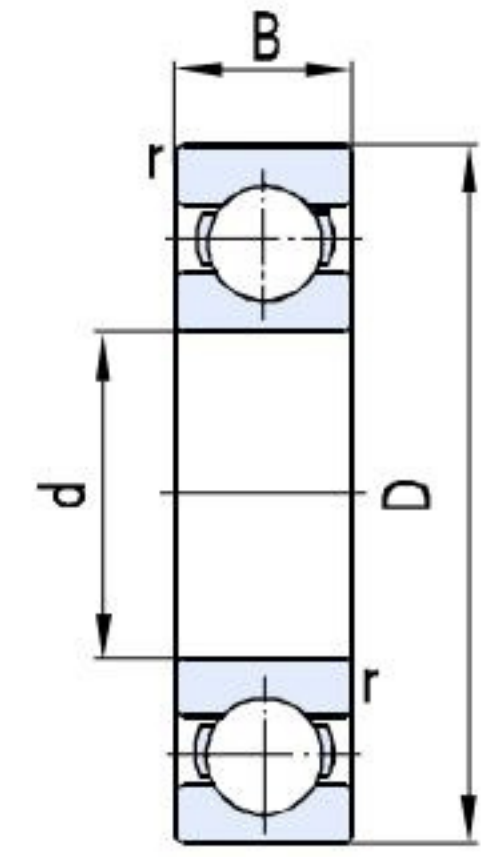
Basic Dimensions				Basic Load Ratings		Limit Rotational Speed		Bearing Part Number	Mounting Dimensions			Weight
d	D	B	rsmin	Cr	Cor	Grease	Oil		Dsmin	dhmax	Rmax	
mm				KN		r/min			mm			Kg
	130 160 190	25 37 45	1.5 2.1 3	66.0 113 153	50.0 77 114	4800 4300 3600	5600 5000 4300	6215 6315 6415	83 86 88	122 149 177	1.5 2 2.5	1.16 3.10 5.57
80	100 110 125 140 170 200	10 16 22 26 39 48	0.6 1 1.1 2 2.1 3	12.7 27.5 47.5 71.5 123 164	13.3 25.0 40.0 54.5 86.5 125	6000 5600 5300 4500 3800 3400	7000 6700 6300 5300 4500 4000	61816 61916 6016 6216 6316 6416	83.2 85 86.5 89 91 93	96.8 105 118.5 131 159 187	0.6 1 1 2 2 2.5	0.153 0.350 0.860 1.43 3.64 6.63
85	120 130 150 180 210	18 22 28 41 52	1.1 1.1 2 3 4	30.3 49.4 83.0 133 165	27.0 40.0 64.0 96.5 136	5300 5000 4300 3800 3200	6300 6000 5000 4500 3800	61917 6017 6217 6317 6417	91 91.5 94 98 101	114 123.5 141 167 194	1 1 2 2.5 3	0.557 0.935 1.80 4.33 8.12
90	125 140 160 190 225	18 24 30 43 54	1.1 1.5 2 3 4	33.0 58.5 96.0 144 193	31.5 50.0 72.0 108 158	5000 4800 3800 3400 3000	6000 5600 4500 4000 3600	61918 6018 6218 6318 6418	96.5 98 99 103 106	118.5 132 151 177 209	1 1.5 2 2.5 3	0.572 1.16 2.19 4.97 9.47
95	120 130 145 170 200 240	13 18 24 32 45 55	1 1.1 1.5 2.1 3 4	19.3 33.8 60.5 108 152 204	20.4 33.0 54.0 81.5 122 171	5000 4800 4500 3600 3200 3400	6000 5600 5300 4300 3800 3600	61819 61919 6019 6219 6319 6419M	99.6 101 103 106 108 108	115 124 137 159 187 215	1 1 1.5 2 2.5 2.5	0.288 0.610 1.14 2.61 5.65 13.4
100	125 140 150 180 180 215 250	13 20 24 28 34 47 58	1 1.1 1.5 1.8 2.1 3 4	19.6 40.2 60.5 116 122 173 224	21.2 39.0 56.5 92.0 93.0 141 195	4800 4500 4300 3400 3400 2800 2600	5600 5300 5000 4000 4000 3600 3400	61820 61920 6020 720 6220 6320 6420	105 106.5 108 111.5 111 113 116	120 133.5 142 171.5 169 202 234	1 1 1.5 1.8 2 2.5 3	0.326 0.850 1.17 2.70 3.20 7.01 12.8

Deep Groove Ball Bearings



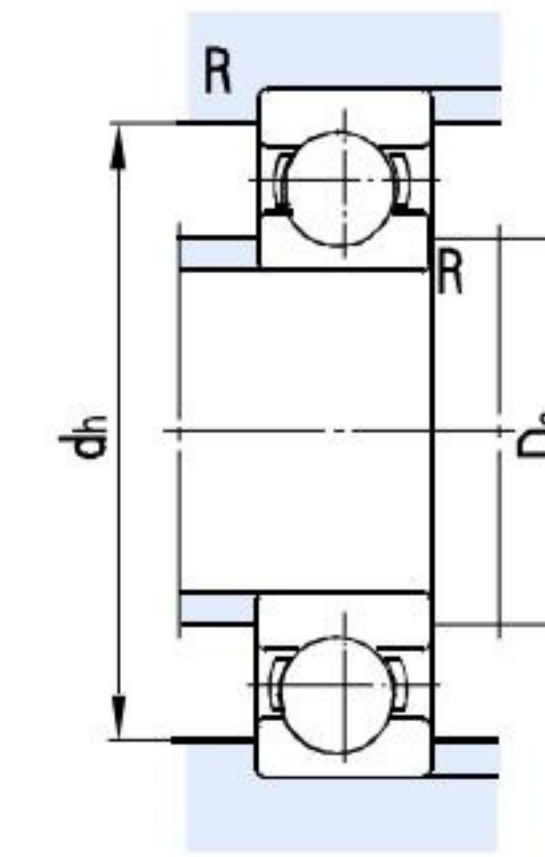
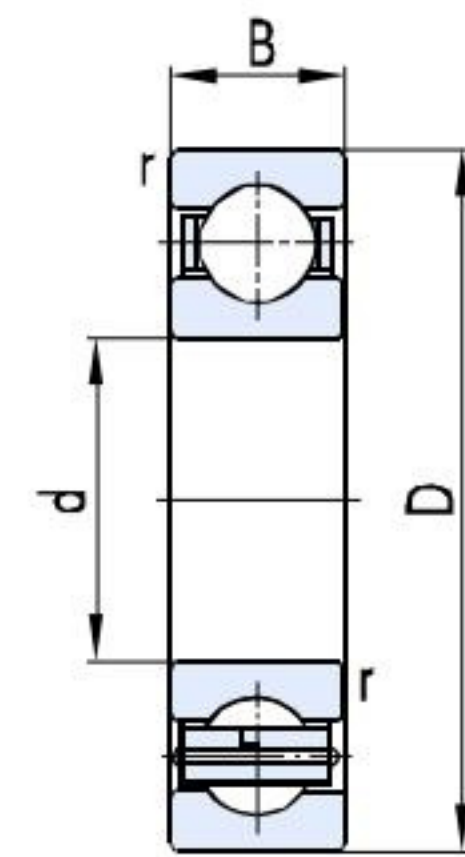
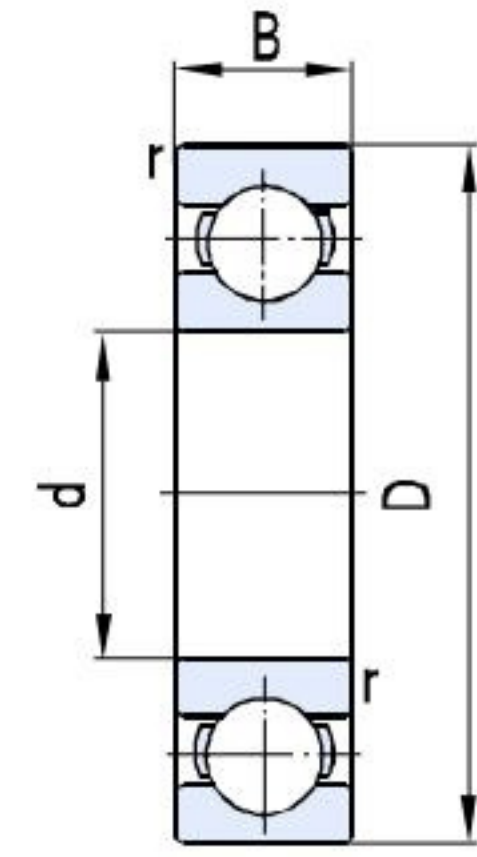
Basic Dimensions				Basic Load Ratings		Limit Rotational Speed		Bearing Part Number	Mounting Dimensions			Weight
d	D	B	rsmin	Cr	Cor	Grease	Oil		Dsmin	dhmax	Rmax	
mm				KN		r/min			mm			Kg
105	130	13	1	19.5	21.0	4500	5300	61821M	110	125	1	0.362
	160	26	2	73.0	65.5	4000	4800	6021	114	151	2	1.62
	180	22	1.1	68.0	65.0	4200	5000	721	113.5	173.5	1	2.61
	190	36	2.1	133	105	3200	3800	6221	116	179	2	3.66
	225	49	3	240	154	2800	3400	6321	118	212	2.5	7.84
110	140	16	1	26.7	28.0	4300	5000	61822	115	135	1	0.505
	150	20	1.1	43.5	44.5	4000	4800	61922	116.5	143.5	1	0.888
	170	28	2	82.0	73.5	3800	4500	6022	119	161	2	2.09
	200	38	2.1	144	112	2800	3400	6222	121	189	2	4.29
	240	50	3	205	176	2400	3000	6322	123	227	2.5	9.49
	280	65	4	265	226	2200	3000	6422	126	264	3	18.3
120	150	16	1	27.9	28.0	3800	4500	61824	125	145	1	0.568
	165	22	1.1	53.0	54.0	3600	4300	61924	126.5	158.5	1	1.21
	180	28	2	85.5	80.0	3400	4000	6024	129	171	2	2.21
	215	40	2.1	156	131	2800	3400	6224	131	204	2	5.26
	260	55	3	217	196	2200	2800	6324	133	247	2.5	12.2
130	165	18	1.1	35.8	38.0	3600	4300	61826MA	136	159	1	0.898
	180	24	1.5	65.0	67.0	3400	4000	61926	138	172	1.5	1.56
	200	33	2	106	95.0	3200	3800	6026	139	191	2	3.29
	230	40	3	165	148	2600	3200	6226	143	217	2.5	6.04
	280	58	4	250	239	2200	2600	6326	146	264	3	14.7
140	175	18	1.1	37.0	40.0	3400	4000	61828M	146.5	168.5	1	0.930
	190	24	1.5	64.0	67.5	3200	3800	61928M	148	182	1.5	2.11
	210	33	2	106	102	3000	3600	6028	146.5	201	2	3.25
	250	42	3	166	150	2400	3000	6228	153	237	2.5	7.41
	300	62	4	253	246	2000	2600	6328	156	284	3	18.5
150	190	20	1.1	46.4	53.0	3000	3600	61830M	156	184	1	1.36
	210	28	2	84.5	90	2800	3400	61930M	159	201	2	3.04
	225	35	2.1	123	117	2600	3200	6030	161	214	2	4.14
	270	45	3	175	169	2000	2600	6230	163	257	2.5	9.76
	320	65	4	277	280	1800	2200	6330	166	304	3	21.4

Deep Groove Ball Bearings



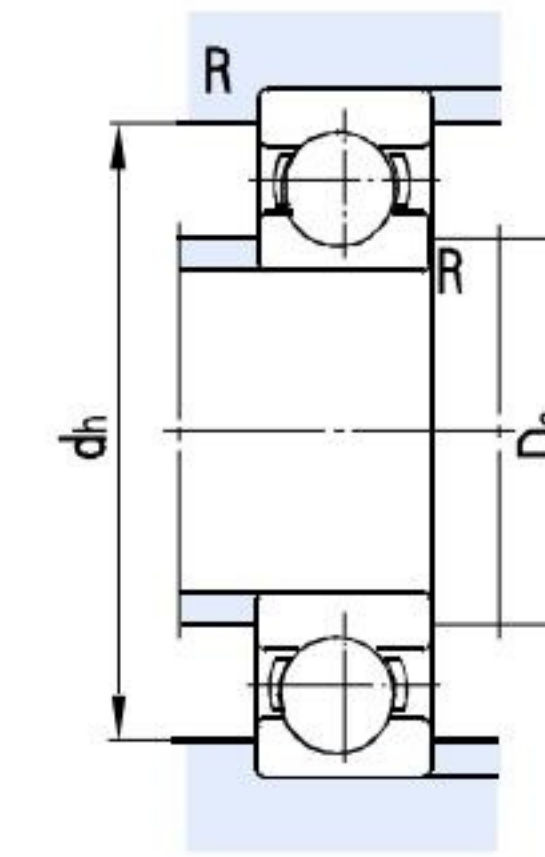
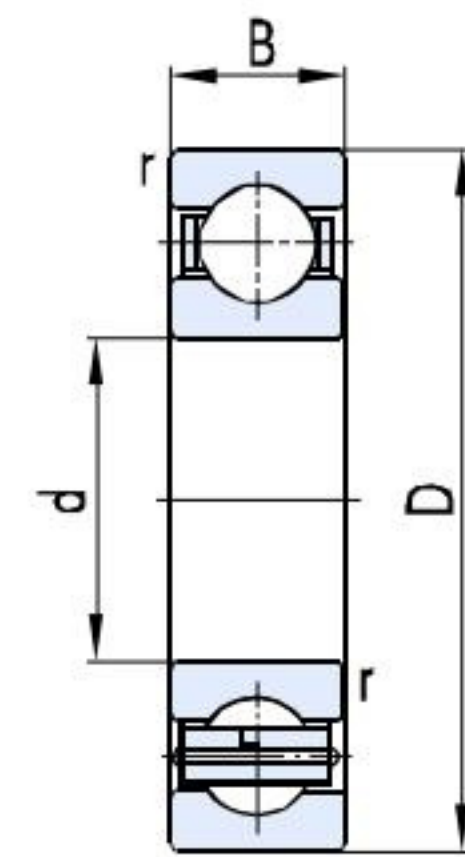
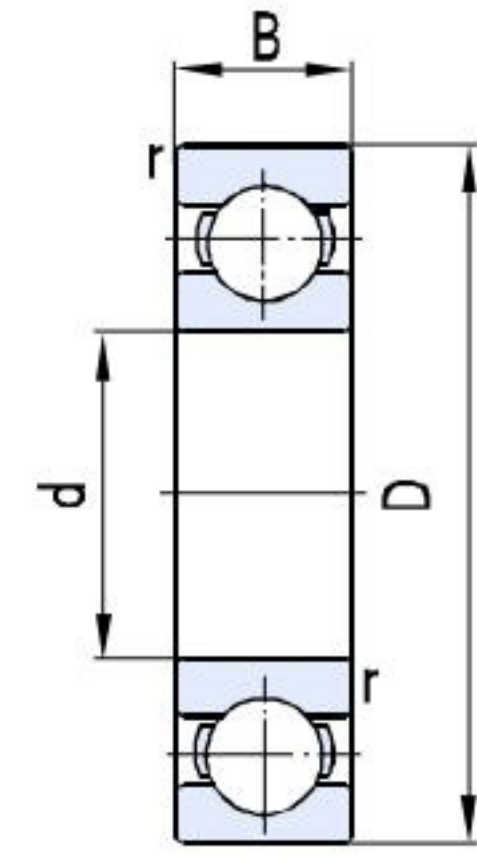
Basic Dimensions				Basic Load Ratings		Limit Rotational Speed		Bearing Part Number	Mounting Dimensions			Weight
d	D	B	rsmin	Cr	Cor	Grease	Oil		Dsmin	dhmax	Rmax	
mm				KN		r/min			mm			Kg
160	200	20	1.1	49.5	59	2600	3200	61832M	168	192	1.1	1.32
	220	28	2	87.5	90.0	2600	3200	61932M	169	211	2	3.28
	240	38	2.1	143	138	2400	3000	6032	171	229	2	5.63
	290	48	3	210	210	1900	2400	6232	173	277	2.5	12.3
	340	68	4	310	325	1800	2200	6332	177	323	3	25.7
170	215	22	1.1	65.0	61.0	2600	3200	61834M	176.5	208.5	1	1.87
	230	28	2	115	100	2400	3000	61934M	179	221	2	3.42
	260	42	2.1	170	171	2200	2800	6034	181	249	2	6.78
	310	52	4	227	240	1900	2400	6234	186	294	3	15.2
	360	72	4	330	368	1700	2000	6334	186	344	3	30.9
180	225	22	1.1	61.8	65.0	2400	3000	61836M	186	219	1	1.97
	250	33	2	127	137	2200	2800	61936M	189	241	2	5.27
	280	46	2.1	195	202	2200	2600	6036	191	269	2	8.83
	320	52	4	256	279	1800	2200	6236	196	304	3	15.4
	380	75	4	340	400	1700	1900	6336M	198	363	3	49.5
190	240	24	1.5	72.5	83.5	2200	2800	61838M	198	232	1.5	2.38
	260	33	2	127	138	2200	2800	61938M	199	251	2	5.85
	290	46	2.1	193	204	2000	2600	6038	201	279	2	9.58
	340	55	4	265	320	1700	2000	6238	206	324	3	18.9
	400	78	5	360	425	1600	1900	6338M	210	382	4	50
200	250	24	1.5	72.3	84.0	2200	2800	61840MA	207	243	1.5	2.68
	280	38	2.1	141	158	2000	2600	61940MA	210	270	2	7.63
	310	51	2.1	222	245	1900	2400	6040	211	299	2	11.7
	360	58	4	288	335	1700	2000	6240	216	344	3	22.6
220	270	24	1.5	74.0	105	1900	2400	61844M	227	263	1.5	3.21
	300	38	2.1	175	162	1900	2400	61944M	231	289	2	7.96
	340	56	3	245	293	1800	2200	6044	233	327	2.5	15.6
	400	65	4	297	365	1500	1800	6244	236	384	3	31.2
	460	88	5	403	520	1300	1600	6344	240	440	4	71.4
230	329.5	40	2.1	190	227	1600	2000	6646M	241	319	2.1	10.4

Deep Groove Ball Bearings



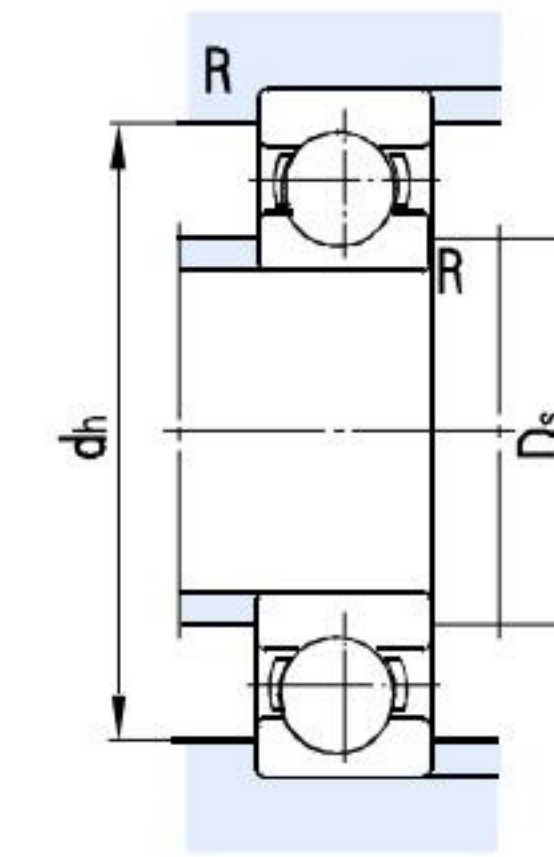
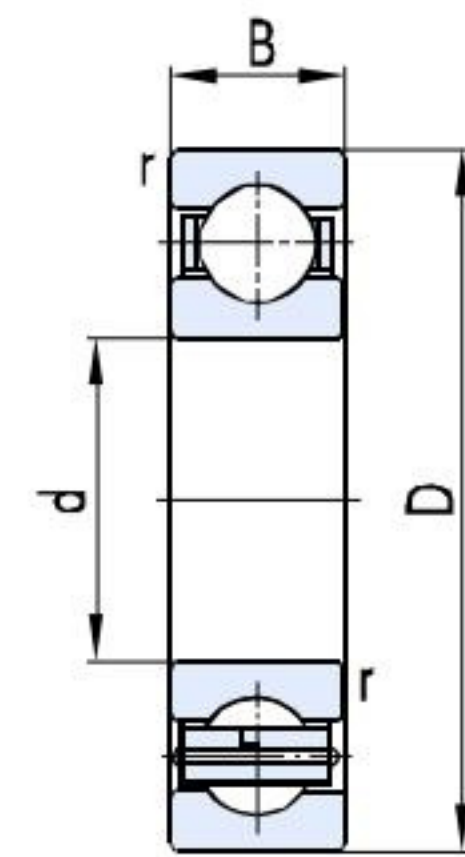
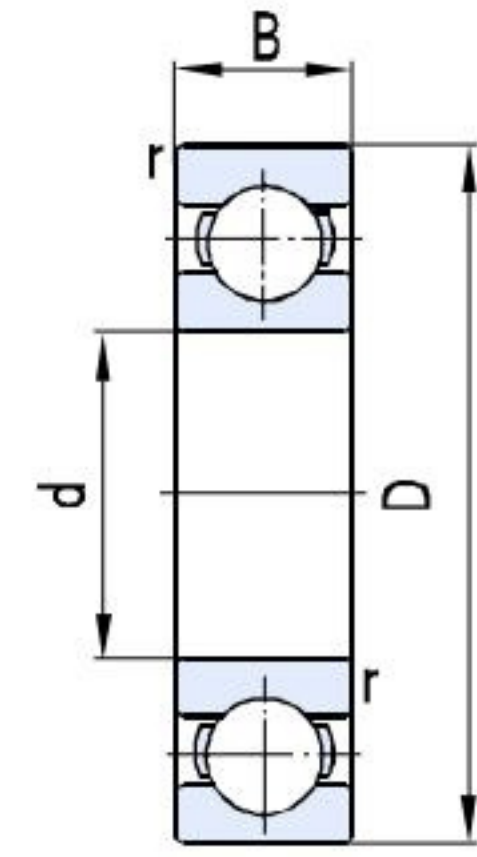
Basic Dimensions				Basic Load Ratings		Limit Rotational Speed		Bearing Part Number	Mounting Dimensions			Weight
d	D	B	rsmin	Cr	Cor	Grease	Oil		Dsmin	dhmax	Rmax	
mm				KN		r/min			mm			Kg
240	300	28	2	103	116	1800	2200	61848M	249	291	2	4.78
	320	38	2.1	155	186	1800	2200	61948M	251	309	2	8.10
	360	56	3	255	315	1700	2000	6048M	253	347	2.5	20.7
	440	72	4	360	470	1300	1600	6248	256	424	3	51.8
	500	95	5	440	595	1100	1400	6348M	260	480	4	96.2
260	320	28	2	122	128	1700	2000	61852M	269	311	2	4.85
	360	46	2.1	212	269	1600	1900	61952M	276	349	2	14.4
	400	65	4	294	375	1500	1800	6052M	276	384	3	28.8
	480	80	5	430	592	1100	1400	6252	280	460	4	68.8
	540	102	6	501	710	1000	1300	6352F1	286	514	5	120
280	350	33	2	131	188	1600	1900	61856M	289	341	2	7.17
	380	46	2.1	215	282	1500	1800	61956M	291	369	2	15.6
	420	65	4	305	405	1400	1700	6056	296	404	3	32.2
	500	80	5	410	600	1000	1300	6256	300	480	4	72
	580	108	6	560	840	1000	1200	6356	305	553	5	141
300	380	38	2.1	163	206	1400	1700	61860M	309	371	2	10.4
	420	56	3	267	370	1300	1600	61960	313	407	2.5	20.7
	460	74	4	340	480	1200	1500	6060	316	444	3	48.4
	540	85	5	450	665	950	1200	6260	320	520	4	88
320	400	38	2.1	164	220	1300	1600	61864M	331	389	2	11.4
	440	37	2.1	210	305	1200	1400	60964	331	428	2	15.5
	440	56	3	278	395	1300	1600	61964	333	427	2.5	24.9
	480	74	4	355	510	1100	1400	6064	336	464	3	50.3
	560	82	5	435	665	950	1200	6076F3	336	540	4	65.6
	580	92	5	515	780	900	1100	6264	340	560	4	111
340	420	38	2.1	169	227	1200	1500	61868	352	408	2	11.6
	460	56	3	282	420	1100	1400	61968	353	447	2.5	27.0
	520	82	5	403	620	950	1200	6068	360	500	4	63.4
	620	92	6	545	890	900	1000	6268	366	599	4	112
360	440	25	1.5	118	210	1130	1450	60872	367	432	1.5	6.5
	440	38	2.1	173	242	1100	1400	61872	351	429	2	12.2

Deep Groove Ball Bearings



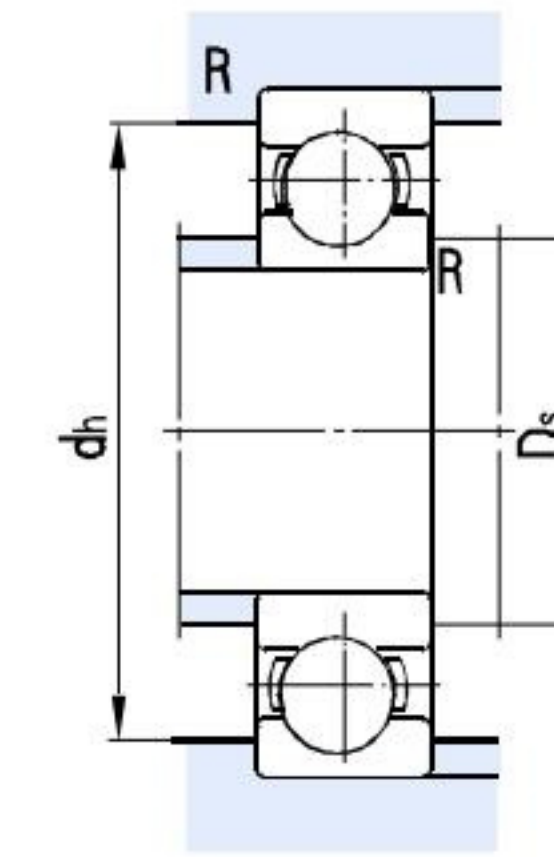
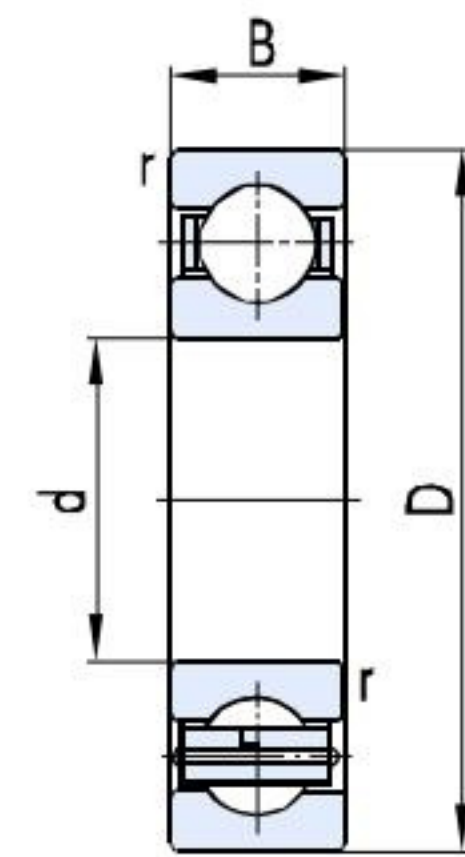
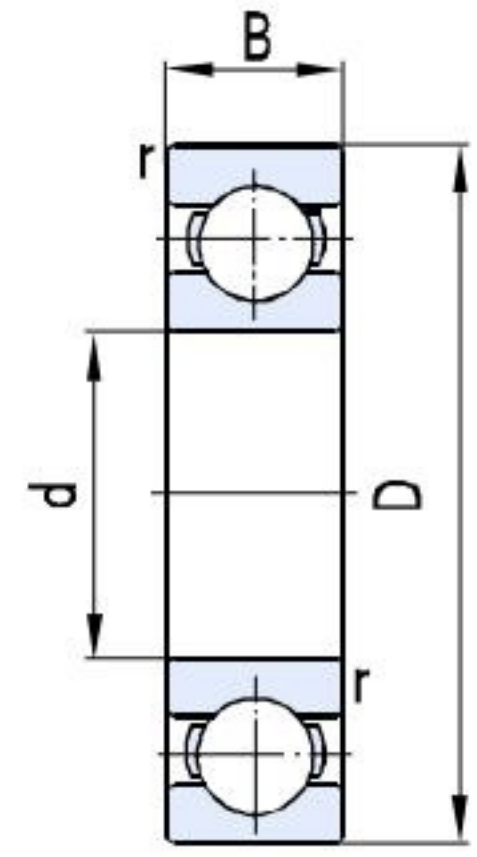
Basic Dimensions				Basic Load Ratings		Limit Rotational Speed		Bearing Part Number	Mounting Dimensions			Weight
d	D	B	rsmin	Cr	Cor	Grease	Oil		Dsmin	dhmax	Rmax	
mm				KN		r/min			mm			Kg
	480	56	3	282	425	1100	1400	61972	373	467	2.5	30.9
	540	82	5	439	698	1000	1200	6072M	380	520	4	65.7
380	480	46	2.1	278	345	1000	1300	61876F1	391	469	2	19.0
	520	65	4	345	550	1000	1300	61976	396	504	3	39.8
	560	82	5	439	665	950	1200	6076	398	542	4	69.3
400	500	31	2	159	277	1000	1200	60880	410	490	2	15
	500	46	2.1	242	403	1000	1200	61880	413	488	2	21
	540	44	3	258	435	980	1250	60980	411	525	2.5	27.5
	540	65	4	355	585	950	1200	61980	416	524	3	43.6
	600	90	5	495	780	900	1100	6080M	420	580	4	87.9
420	520	46	2.1	245	420	980	1250	61884	431	508	2	21.5
	620	90	5	495	875	900	1100	6084	437	603	4	90.5
440	540	31	2	155	285	900	1100	60888	450	531	2	16.5
	540	46	2.1	245	445	900	1100	61888	453	528	2	22
	600	50	4	305	550	900	1100	60988	456	585	3	41
	600	74	4	390	680	870	1000	61988	455	585	3	61.6
	650	94	6	525	880	850	1000	6088	466	624	5	108
460	580	56	3	303	435	900	1100	61892	473	567	2.5	34.3
	620	74	4	410	765	870	1100	61992	475	604	3	63
	680	100	6	553	945	800	950	6092F1	483	657	5	121
480	600	56	3	315	610	870	1100	61896	492	587	2.5	36
	650	78	5	417	743	800	950	61996F3	498	632	4	74.1
	700	100	6	605	1130	740	900	6096	504	676	5	126
500	620	37	2.1	220	445	800	950	608/500	510	609	2	20
	620	56	3	315	480	800	950	618/500M	513	607	2.5	37.3
	670	78	5	450	860	760	900	619/500	519	651	4	79
	720	100	6	575	1020	750	900	60/500	526	694	5	135
530	650	56	3	315	620	750	900	618/530F1	543	637	2.5	41.1
	650	56	3	315	620	750	900	618/530MA	543	637	2.5	42.1

Deep Groove Ball Bearings



Basic Dimensions				Basic Load Ratings		Limit Rotational Speed		Bearing Part Number	Bearing Part Number			Weight
d	D	B	rsmin	Cr	Cor	Grease	Oil		Dsmin	dhmax	Rmax	
mm				KN		r/min			mm			Kg
	710	57	4	410	810	690	840	609/530	545	696	3	60
	710	82	5	468	885	700	850	619/530F1	548	692	4	91.6
	780	112	6	635	1260	670	810	60/530	552	757	5	188
560	680	37	2.1	220	460	710	860	608/560	572	670	2	30
	680	56	3	328	525	700	850	618/560	573	667	2.5	42.8
	750	85	5	475	925	670	800	619/560F1	578	732	4	110
	820	115	6	670	1370	630	750	60/560F3	586	794	5	75.7
600	700	100	3	345	710	670	800	D66/600	610	690	2.5	60.6
	730	42	3	260	550	670	800	608/600	614	718	2.5	41
	730	60	3	345	710	670	800	618/600	614	717	2.5	52.7
	870	118	6	680	1450	600	700	60/600	623	847	5	233
630	780	48	3	355	730	640	760	608/630	643	767	2.5	41
	780	69	4	420	760	630	750	618/630	645	765	3	76.5
	850	71	5	475	1050	600	710	609/630	649	832	4	112
	850	100	6	610	1330	600	710	619/630	654	829	5	163
	920	128	7.5	800	1750	550	660	60/630	657	891	6	280
670	820	69	4	420	780	560	670	618/670	685	805	3	82.2
	900	73	5	540	1210	580	700	609/670	689	882	4	143
	900	103	6	670	1450	530	630	619/670MA	693	877	5	194
	920	118	6	750	1600	530	630	66/650N1	673	897	5	254
	980	136	7.5	904	1900	500	600	60/670F3	698	952	6	361
710	870	74	4	451	905	530	630	618/710	725	855	3	98.1
	950	78	5	545	1280	500	610	609/710	729	932	4	148
	950	106	6	645	1510	500	610	619/710	732	928	5	218
	1030	140	7.5	935	2180	490	560	60/710	738	1002	6	375
750	920	78	5	515	1240	480	610	618/750	766	901	4	110
	1000	112	6	745	1790	490	570	619/750	774	977	5	260
	1090	150	7.5	975	2370	450	530	60/750	778	1061	6	490
800	980	57	4	390	990	430	510	608/800	815	966	3	100
	980	82	5	545	1360	430	510	618/800	820	960	4	132

Deep Groove Ball Bearings



Basic Dimensions				Basic Load Ratings		Limit Rotational Speed		Bearing Part Number	Mounting Dimensions			Weight
d	D	B	rsmin	Cr	Cor	Grease	Oil		Dsmin	dhmax	Rmax	
mm				KN		r/min			mm			Kg
	1060	115	6	815	2100	430	500	619/800	823	1037	5	280
	1150	155	7.5	985	2530	400	480	60/800	828	1120	6	540
850	1030	57	4	385	1000	450	500	608/850	865	1015	3	75
	1030	82	5	555	1310	450	530	618/850	870	1010	4	144
	1120	118	6	815	2150	400	480	619/850	873	1098	5	315
	1220	165	7.5	1090	2980	370	430	60/850	879	1190	6	640
900	1090	85	5	600	1430	380	450	618/900F3	918	1072	4	155
	1180	122	6	830	2270	360	440	619/900	923	1156	5	355
	1280	170	7.5	1080	3120	330	410	60/900	928	1252	6	725
950	1150	90	5	660	1620	360	430	618/950F1	968	1132	4	188
	1250	132	7.5	985	2850	330	410	619/950	979	1222	6	395
	1360	180	7.5	1145	3315	310	380	60/950	979	1330	6	850
960	1160	90	5	630	1550	360	430	66/960MA	978	1142	4	199
1000	1220	71	5	540	1550	350	400	608/1000	1018	1201	4	175
	1220	100	6	680	1720	340	400	618/1000MA	1023	1197	5	234
	1320	103	6	800	2340	330	380	609/1000	1023	1297	5	405
	1320	140	7.5	985	2880	330	380	619/1000	1028	1292	6	525